

固态继电器

固态继电器 (SSR) 是一种固态电子元件提供类似于机械式继电器的功能, 但是不含有移动部件, 可以大大提高长期稳定性。固态继电器原理来自于每个晶体管内部都有一个小电压降, 这个电压降限制了固态继电器的控制电流。

固态接触器是一种大容量的固态继电器, 包括所需的散热器, 用于切换电子加热器, 小型电机和轻型负载等需要频繁开关的电气设备。固态接触器没有活动部件损耗和触点切换引起的震动, 通过交流或直流信号驱动。

产品主要特点

- 集成瞬时电压抑制变阻器
- 带监测显示过热防护
- 尤其适用于重载应用
- 适用于热带环境 - 环氧树脂封装
- DIN 标准导轨安装
- 符合EMC和低电压标准
- 安全标准符合 VDE, EN, UL, CSA

Solid State Relay

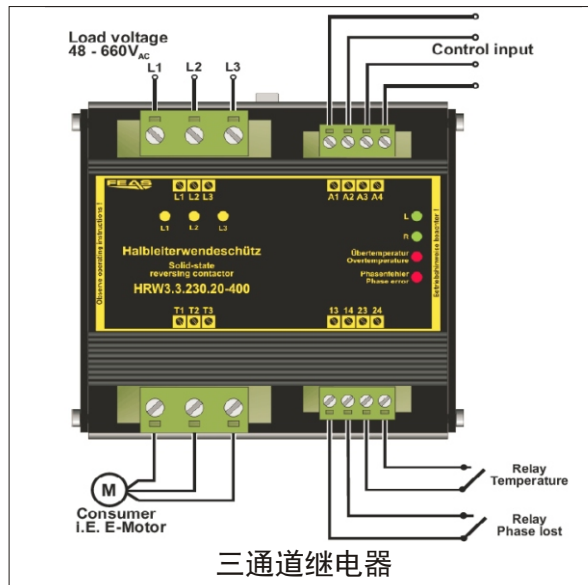
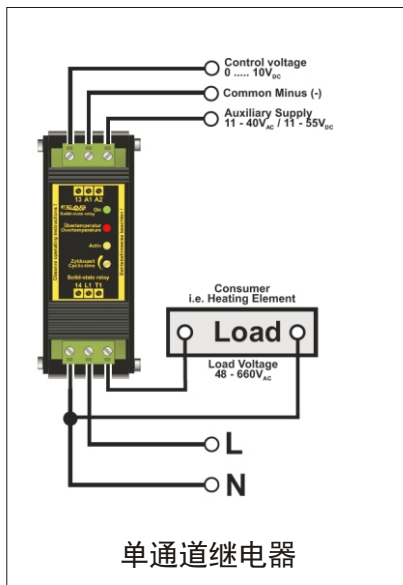
A solid state relay (SSR) is a solid state electronic component that provides a similar function to an electromechanical relay but does not have any moving components, increasing long-term reliability. With early SSR's, the tradeoff came from the fact that every transistor has a small voltage drop across it. This voltage drop limited the amount of current a given SSR could handle.

A solid state contactor is a very heavy-duty solid state relay, including the necessary heat sink, used for switching electric heaters, small electric motors and lighting loads; where frequent on/off cycles are required. There are no moving parts to wear out and there is no contact bounce due to vibration. They are activated by AC control signals or DC control signals.

Product Main Features

- Integrated transient voltage suppressor varistor
- Protection against over-temperature with remote monitoring
- Especially suitable for using in heavy duty ambiente
- Suitable for the tropics - epoxy resin casted
- DIN rail mounting
- Conforms to EMC and low voltage directive
- Safety acc. to VDE, EN, UL, CSA

产品接线



外形	型号	控制输入	辅助电源	负载范围	通道数	外形尺寸(WxHxD)mm	重量Kg
固态继电器							
	HR1.1.10.16-400VS-U	0-10 VDC	11-40 VAC/11-55 VDC	48 - 660 VAC/16 A	1	40.0 x 99.0 x 118.0	0.64
	HR1.1.20.16-400VS-I	0-20 mA	11-40 VAC/11-55 VDC	48 - 660 VAC/16 A	1	40.0 x 99.0 x 118.0	0.64
	HR1.1.24.16-400	11-40 VAC / 11-50 VDC	无	48 - 660 VAC/16 A	1	40.0 x 99.0 x 118.0	0.64
	HR1.1.230.16-400	75-270 VAC / 70-300 VDC	无	48 - 660 VAC/16 A	1	40.0 x 99.0 x 118.0	0.64
固态接触器 (带相位监测功能)							
	HR3.2.24.20-400	11-40 VAC / 11-55 VDC	无	48 - 660 VAC/3 x 20 A	3	73.5 x 118.0 x 118.0	1.28
	HR3.3.230.20-400	85-270 VAC / 120-300 VDC	无	48 - 660 VAC/3 x 20 A	3	73.5 x 118.0 x 118.0	1.28
反向固态接触器 (带相位监测功能)							
	HRW3.3.24.20-400	11-40 VAC / 11-55 VDC	无	48 - 660 VAC/3 x 20 A	3	107.0 x 118.0 x 118.0	2.11
	HRW3.3.230.20-400	75-270 VAC / 60-300 VDC	无	48 - 660 VAC/3 x 20 A	3	107.0 x 118.0 x 118.0	2.11